

内部構造介紹—WF42X – WF142X

• 輸入 / 輸出法蘭

- 1: AL-6061-T6; 表面鋁陽極霧黑, 高質感, 高防銹能力。
- 2: 輸入法蘭一體式設計, 使得伺服馬達軸心與太陽齒有極佳的同心度。
- 3: 可與各品牌的伺服馬達與步進馬達搭配組合。

• Input / Output Flange

- 1: Material is AL-6061-T6, Surface is Eloxal to improve the antioxidant capacity and high quality.
- 2: Input flange is One-Piece design for sun gear and servomotor shaft get excellent concentricity.
- 3: Use to any brand servomotor or step motor.



- 輸出軸軸承
採用低速重載軸承, 有效提高軸承使用壽命及承受較高的徑 / 軸向力。
- Output shaft Bearing
Using low speed and high loading type bearing. It has excellent radial / axial loading and service life.



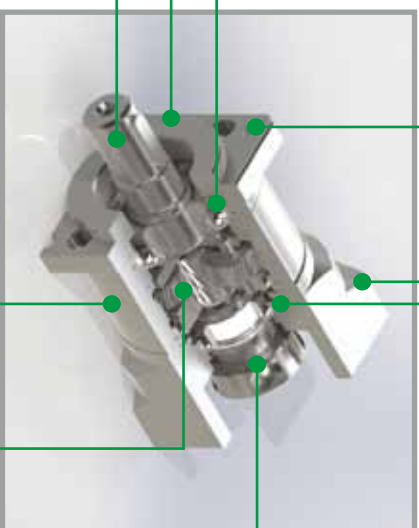
- 輸出 / 輸入法蘭與內齒環
輸出 / 輸入法蘭與內齒環使用高精度軸承為組裝時的引導, 能使輸入到輸出端有最佳的同心度, 降低震動。
- Output / Input Flange and Inner Gear Box
The output / input flange using high precision bearing to lead assembly. Let the input to output shaft center has excellent concentricity for reduce vibration.



- 輸出軸
一體式設計, 確保行星齒能精確的傳動, 前後軸承大跨距設計與較大的軸承, 有效的提高軸承壽命與最大的軸 / 徑向力。
- Output Shaft
Shaft is One-Piece design, for ensure the planetary gears could accurate transmission. Enlarge the front bearing and larger span to rear bearing for largest radial and axial loading.



- 輸入軸軸承
採用高速輕載軸承, 符合伺服馬達高速運轉的需求。
- Input shaft Bearing
Using high speed and low loading type bearing. It is excellent design for high speed input of servomotor.



- 內齒環
高強度合金鋼, 螺旋齒設計, 高精度, 耐磨耗, 低噪音。
- Inner Gear Box
High strength alloy steel. Gear is Helical gear design for high-precision, high abrasion and lower noise.



- 太陽齒 / 行星齒
1: 高強度合金鋼, 表面高硬度, 耐磨耗, 高韌性。
- 2: 螺旋齒型設計, 高傳動能力, 低噪音, 低震動。
- Sun/Planetary Gear
1: High strength alloy steel, high hardness of surface, anti-abrasion and high impact.
- 2: Gear is Helical gear design, high efficiency, lower noise and lower vibration.

• 太陽齒與輸入軸

- 1: 搭配高精度軸承, 可適用於不同軸徑的伺服馬達。
- 2: 極佳的動平衡設計。
- 3: 優化的轉動慣量。
- 4: 模組化設計, 能快速回應客戶不同速比的需求。
- Sun Gear and Input Shaft
1: With high precision bushing is easy to set up with any brand servomotor.
- 2: Excellent dynamic balance
- 3: Optimum mass moment of inertia.
- 4: To modularize assembly design for rapid reaction customers all gear ratio requirement.